



◆Feature

- .Constant voltage design
- .Universal AC input / Full range
- .Small dimension, High efficiency, High reliability, Long lifetime
- .Ip67 design for outdoor installation
- .Working temperature: -25°C~+50°C
- .Protections: Over temperature, Overload, Short-circuit, etc.
- .Typical efficiency: 91%
- .UL/FCC/IP67 certified, RoHS compliant
- .100% full load burn-in test.

SPECIFICATION

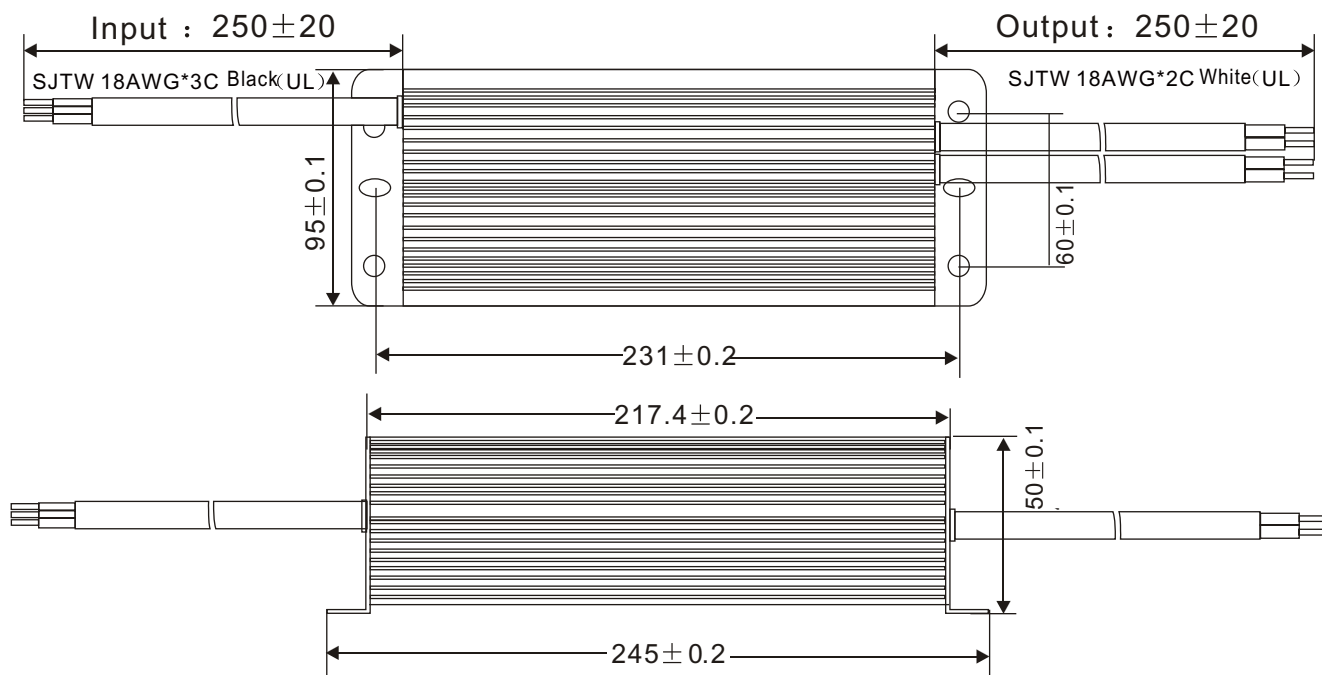
Model Number		VD-12200D0710	VD-24200D0710	VD-36200D0710		
Output	DC Voltage	12V	24V	36V		
	Rated current	16.67A	8.34A	5.56A		
	Current range	0-16.67A	0-8.34A	0-5.56A		
	Rated power	200W	200W	200W		
	Ripple and Noise(max.) Note4	120mVp-p	240mVp-p	360mVp-p		
	Voltage tolerance Note3	±4%	±2.0%	±2.0%		
	Line regulation	±1%	±0.5%	±0.5%		
	Load regulation	±2%	±1%	±1%		
	Output groups	2	1	1		
	Set up time Note6	2000ms, 50ms(at full load) 110Vac/230Vac				
Holding time(Typ.)	15ms(at full load) 110Vac/ 230Vac					
Input	Voltage range Note 2	90~264Vac or 127~374Vdc				
	Frequency range	47~63Hz				
	Power factor(Typ.)	PF≥0.50/110V(at full load) PF≥0.45/230V(at full load)				
	Efficiency(Typ.)	88%	90%	91%		
	AC current	3.1A/110Vac 1.6A/230Vac				
	Inrush current(Typ.)	Cold start: 60A/230Vac				
	Leakage current	<0.75mA/240Vac				
Protection	Over load	104%-120% of the rated output power Protection mode: constant current limiting, recovers automatically after the load reduced.				
	Short circuit	Protection type: Hiccup mode, recovers automatically after fault conditions removed				
	Over voltage	13.0-18.0V	24.5-35.0V	36.8-54.0V		
	Over temperature	Ta:55 °C~65 °C Protection type: Shut down O/P voltage, recovers automatically after temperature goes down.				
Environment	Working temperature	-25°C~+50°C				
	Working humidity	10%~90%RH, non-condensing				
	Storage temp. and humidity	-25°C~+75°C, 5%~95%RH				
	Temp. coefficient	±0.05%/°C (0~50°C)				
	Vibration	10-300Hz, 1G 10min./cycle, period for 60min. each along X, Y, Z axes				
Safe and EMC	Safety standards	Compliance to UL8750, UL60950, Ip67 waterproof rating.				
	Withstand voltage	I/P-O/P: 3.75KVAC I/P-FG: 1.875KVAC O/P-FG: 0.5KVAC				
	Insulation resistance	I/P-O/P, I/P-FG, O/P-FG: 100Mohms/500Vdc 25 °C/70%RH				
	EMC Emission	/				
	EMC Immunity	/				
Others	MTBF	≥200Khrs, MIL-HDBK-217F(25°C)				
	Dimension	245X95X50mm(L*W*H)				
	Packing	1.9Kg/PCS, 10PCS/19Kg/box, (380X337X292mm)				

NOTE

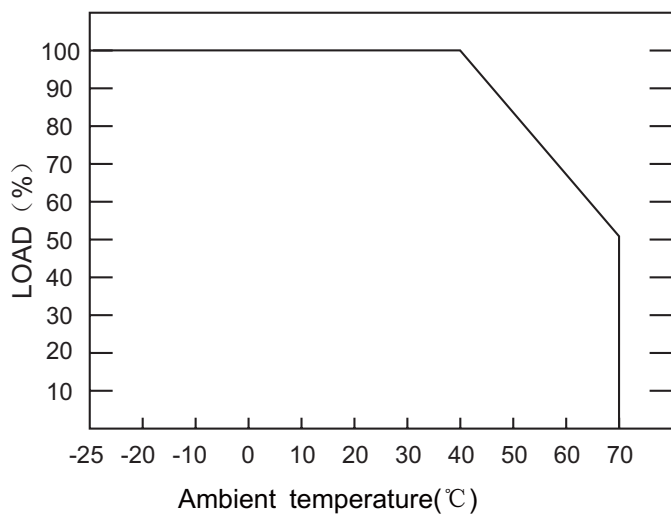
1. All parameters NOT specially mentioned are measured at 230VAC input, rated load and 25°C of ambient temperature.
2. Derating may be needed under low input voltages. Please check the static characteristics for more details.
3. Tolerance: includes set up tolerance, line regulation and load regulation.
4. Ripple & noise are measured at 20MHZ of bandwidth by using twisted pair-wire terminated with a 0.1uf & 47uf parallel capacitor.
5. The power supply is considered as a component that will be operated in combination with final equipment. Since EMC performance will be affected by the complete installation, the final equipment manufacturers must re-confirm EMC Directive on the complete installation.
6. The start time was tested under the situation of cold star, continuous switching on/off may raise the start time.

■ Mechanical Specification

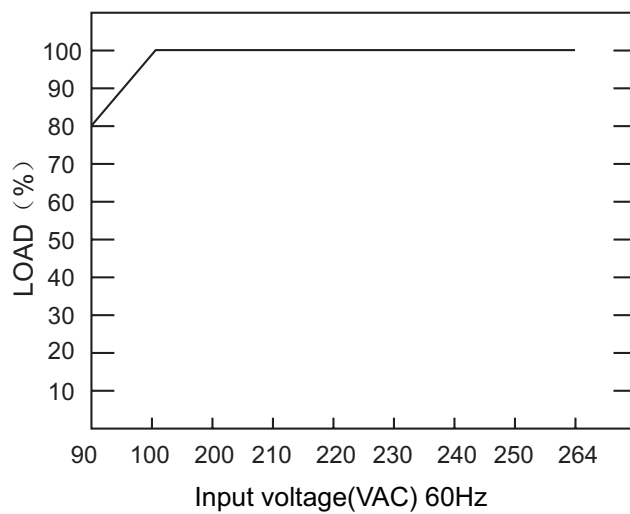
Case No. D0710 Unit: mm



■ Derating Curve



■ Static Characteristics



Designed by		Standardization		D0710 type	Version: 2.0
Corrected by		Approved by		SHENZHEN STARWELL TECHNOLOGY CO., LTD	
Checked by					